

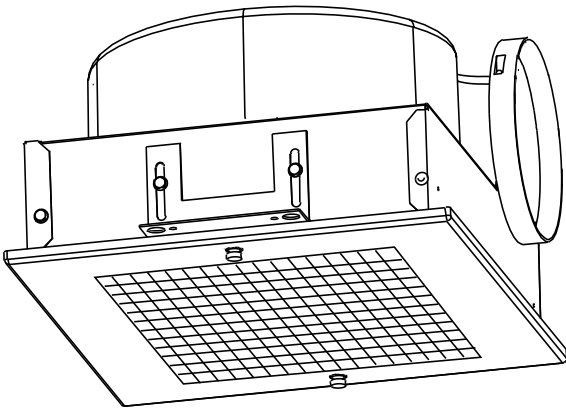


COOK

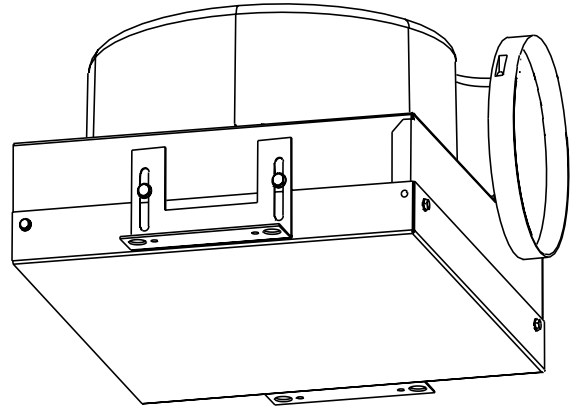
Gemini

Ceiling and Cabinet Fans

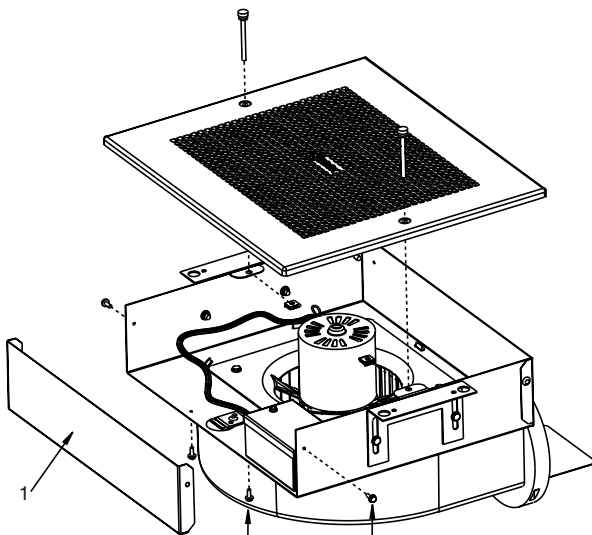
Ceiling to Inline Conversion Kit



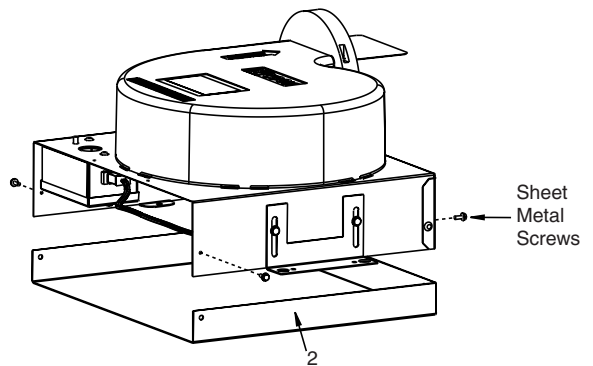
Before



After



Sheet Metal Screws



Gemini 100 Ceiling to Inline Conversion

The Gemini 100 series can be field converted from ceiling to inline by following these steps:

- a. Remove and discard the inlet box end plate #1, see illustration.
- b. Install the inline cover panel #2 with the same sheet metal screws, as shown in illustration.

Note: Conversion should be done before installing fan in ductwork.

Ceiling to Inline Conversion Kit Parts List	
Quantity	Description
1	Inline Cover Panel