

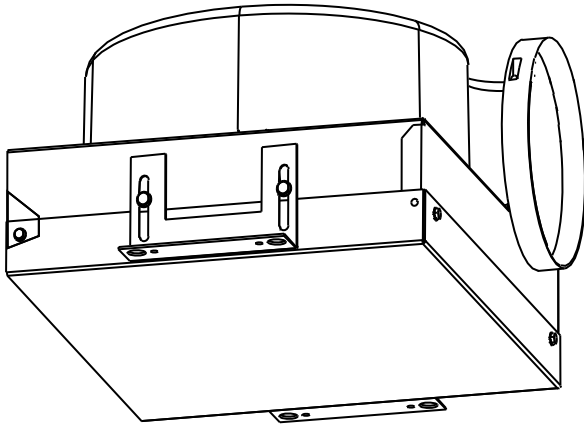


COOK

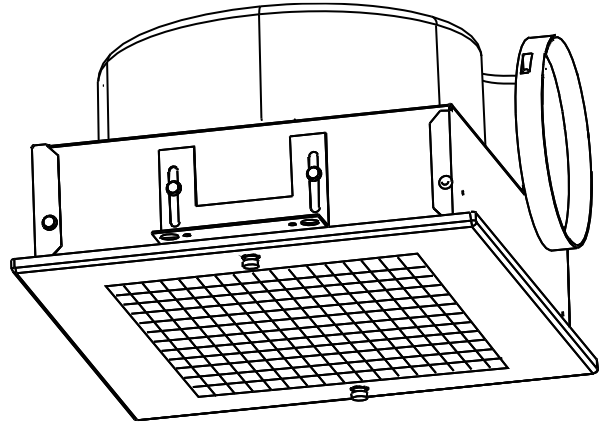
Gemini

Ceiling and Cabinet Fans

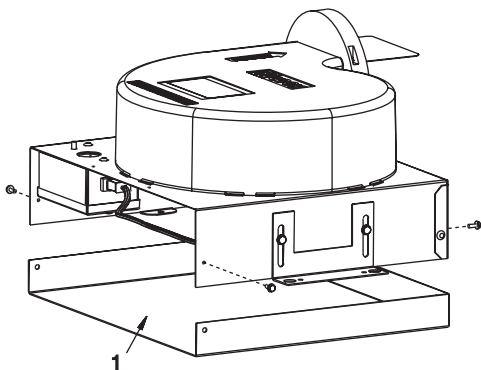
Inline to Ceiling Conversion Kit



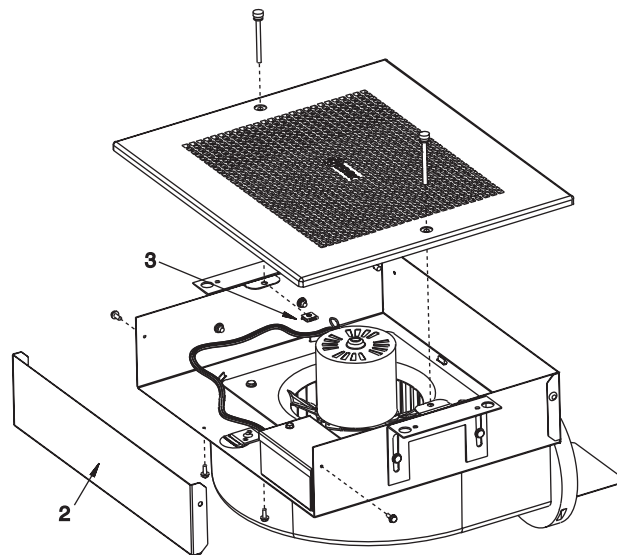
Before



After



1



2

3

Gemini 100 Inline to Ceiling Conversion

The Gemini 100 series can be field converted from inline to ceiling by following these steps:

- Remove and discard the Inline Cover Panel #1, see illustration.
- Install the Inlet Box End Plate #2 with the same sheet metal screws.
- Install grill screw clips #3, as shown, 2 typical.

Note: Conversion should be done before installing fan in ductwork.

Quantity	Inline to Ceiling Conversion Kit Parts List	
	Description	
1	Inlet Box End Plate	
2	Grill Screw Clips	
2	Grill Screws	
1	Grill	