



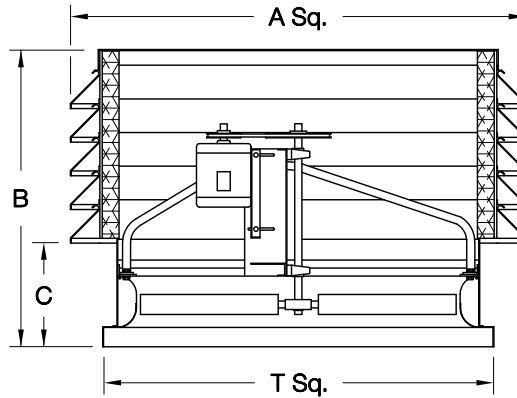
COOK

ETS

DATE: _____
 PROJECT: _____
 LOCATION: _____



**Tiered Filtered Supply Ventilator
 Roof Mounted/Belt Drive**



DIMENSION DATA

Size	A Sq.	B	C	T Sq.	No. Tiers	No. Filters	Filter Size	Filter Area (sq.ft.)	Max. Motor Frame	Ship Wt.	Roof Opening Sq.*
24	40-3/4	34-1/4	12-1/2	36	5	4	18-7/8 X 29-3/8	13.3	182T	324	31-1/2
30	46-3/4	34-1/4	12-1/2	42	5	4	18-7/8 X 35-3/8	16.2	184T	402	37-1/2
36	52-3/4	41-1/4	12-1/2	48	7	8	25-7/8 X 19-5/8	24.3	215T	515	43-1/2
42	58-3/4	45	16-1/4	54	7	8	25-7/8 X 22-5/8	28.3	215T	663	49-1/2
48	64-3/4	52	16-1/4	60	9	8	32-7/8 X 25-3/8	41.2	254T	800	55-1/2
54	70-3/4	56-1/2	17-1/4	66	10	16	18-3/16 X 28-5/8	49.7	256T	956	61-1/2
60	76-3/4	63-1/2	17-1/4	72	12	16	21-11/16 X 31-1/2	66.6	256T	1132	67-1/2

ALL DIMENSIONS IN INCHES. WEIGHTS IN LBS., LESS MOTOR.
 * ROOF OPENING SIZE FOR CURBS SUPPLIED BY COOK ONLY.

STANDARD CONSTRUCTION FEATURES:

Extruded aluminum propeller – Spun steel Venturi/curb cap – Painted steel lower housing – Hood is extruded aluminum tiers – 2” Washable aluminum filters – Heavy duty steel power assembly – Welded curb cap corners – Adjustable pitch drives through 5 hp motor – Regreasable bearings in cast housing rated at 200,000 hours average life – Propellers are statically and dynamically balanced – Corrosion resistant fasteners – Static resistant belts – All fans factory adjusted to specified RPM.

ACCESSORIES

1. DISCONNECT SWITCH
2. GRAVITY BACKDRAFT DAMPER
3. MOTORIZED BACKDRAFT DAMPER
4. RCG GALVANIZED CURB
5. RCA ALUMINUM CURB
6. EPOXY COATING
7. ANTI-CONDENSATE COATING
8. SPECIAL

QTY	MARK	CATALOG NUMBER	FAN INFORMATION			MOTOR INFORMATION					ACCESSORIES							
			CFM	SP	RPM	HP	VOLTS	HZ	PH	TYPE								

LARGEST MOTOR SHIPPED MOUNTED: ODP (OPEN DRIP-PROOF) 5 HP; 2 SP (2 SPEED) 2 HP; X-PRF (EXPLOSION PROOF) 2 HP; TEFC (TOTALLY ENCLOSED FAN COOLED) 3 HP;

RP032R05