



COOK

AQB

DATE: _____

PROJECT: _____

LOCATION: _____

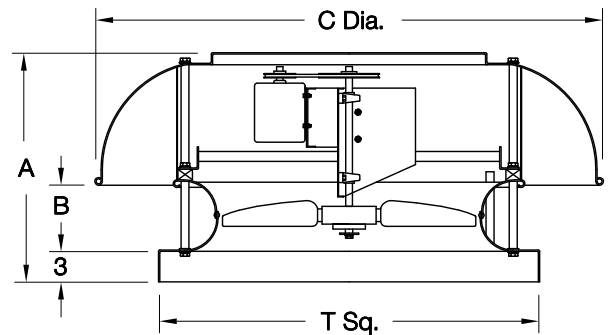


Downblast Propeller Exhaust Ventilator Roof Mounted/Belt Drive

DIMENSION DATA

Size	A	B	C Dia.	T Sq.	Max. Motor Frame	Ship Wt.	Roof Opening Sq.*
24	24-7/8	6-1/8	47-1/2	36	143T	175	31-1/2
30	26-1/4	6-1/4	52-1/2	42	145T	218	37-1/2
36	27-1/4	6-3/4	62-1/2	48	145T	265	43-1/2
42	32-3/4	7-1/4	74-1/2	54	182T	318	49-1/2
48	32-3/4	7-1/4	74-1/2	60	184T	360	55-1/2

ALL DIMENSIONS IN INCHES. WEIGHTS IN LBS., LESS MOTOR.
* ROOF OPENING SIZE FOR CURBS SUPPLIED BY COOK ONLY.



STANDARD CONSTRUCTION FEATURES:

Cast aluminum propeller – Spun aluminum Venturi/curb cap – Heavy duty painted tubular steel power assembly – Spun aluminum top cap – Rubber vibration isolators – Adjustable pitch drives through 2 hp motor – Regreasable bearings in cast housing rated at over 200,000 hours average life – Welded curb cap corners – Ball bearing motors – All fans factory adjusted to specified RPM.

ACCESSORIES

1. DISCONNECT SWITCH
2. GRAVITY BACKDRAFT DAMPER
3. MOTORIZED BACKDRAFT DAMPER
4. RCG GALVANIZED CURB
5. RCA ALUMINUM CURB
6. EPOXY COATING
7. ANTI-CONDENSATE COATING
8. SPECIAL

QTY	MARK	CATALOG NUMBER	FAN INFORMATION			MOTOR INFORMATION					ACCESSORIES						
			CFM	SP	RPM	HP	VOLTS	HZ	PH	TYPE							

LARGEST MOTOR SHIPPED MOUNTED: ODP (OPEN DRIP-PROOF) 2 HP; 2 SP (2 SPEED) 1-1/2HP;
X-PRF (EXPLOSION PROOF) 1-1/2 HP; TEFC (TOTALLY ENCLOSED FAN COOLED) 1-1/2 HP;

RP042R02