

# TMX

## Economical Mixed-Flow Fan

Compact, economical air moving solution for many clean air applications.

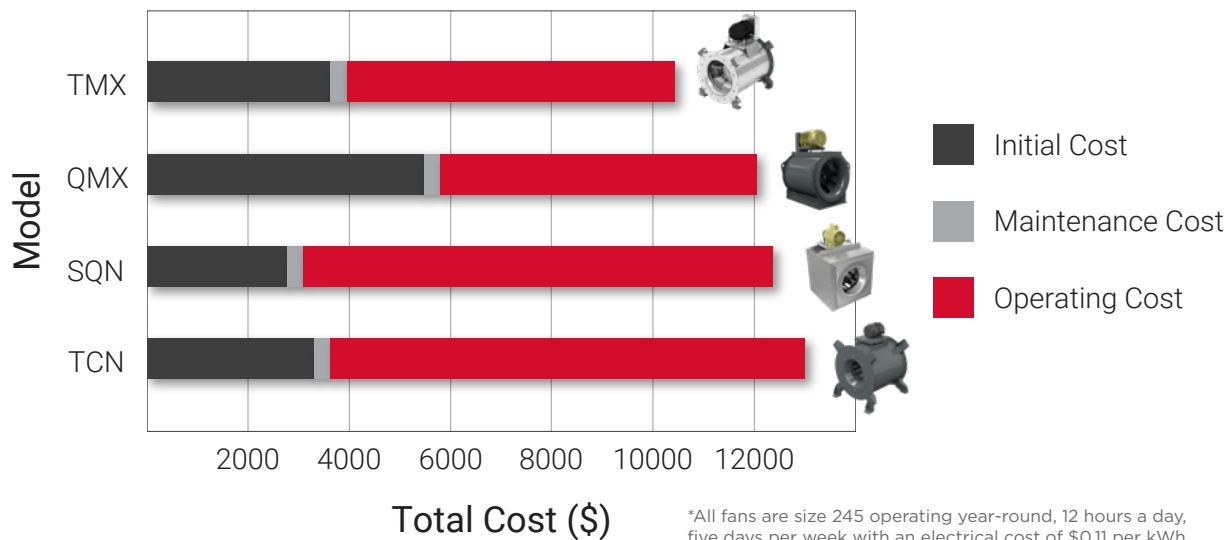
Efficiency, reliability and initial cost all play an important role in the cost of operating a fan.

TMX strikes the right balance and delivers the lowest cost of ownership among commercial inline fans. It is a great choice for clean air, indoor fan applications.

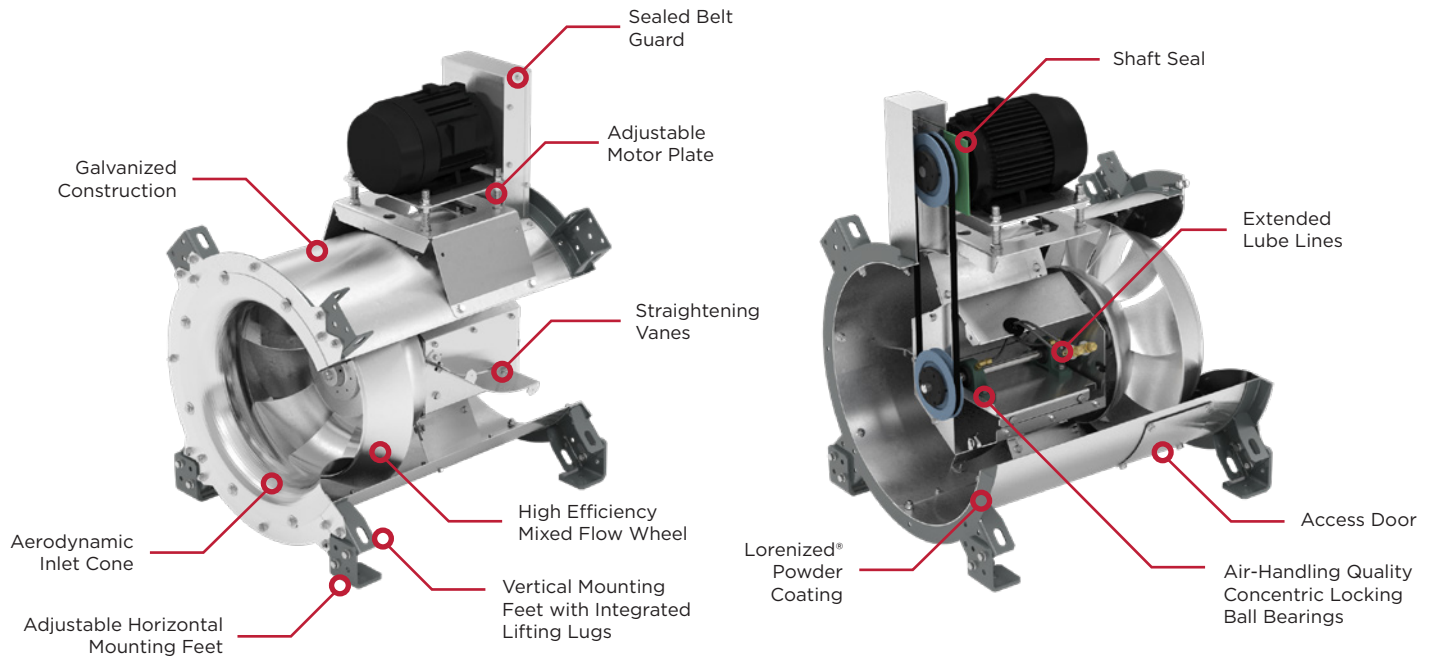


### Benefits:

- 12 Sizes
- Up to 24,400 CFM
- Up to 3" w.g.
- Compact & efficient design



## Standard Features:



## Model Comparison:

MODEL	TMX	QMX	SQN	TCN
SIZES	12	18	18	20
SIZE RANGES	90-330	90-600	60-402	60-490
MAX CFM	24,400	119,500	26,000	52,000
MAX SP (.in w.g.)	3"	9"	1.25"	5"
MAX TEMP (°F)	180	180/500*	180/200*	180/300*

\*180°F is standard construction. Upgrades are required to achieve higher temperatures.

## Extra Benefits:

- Efficiency near QMX levels
- UL/cUL 705 Listing is standard on all TMX models
- Lower initial cost than other mixed flow fans
- Lighter weight than other mixed flow fans