

TMX

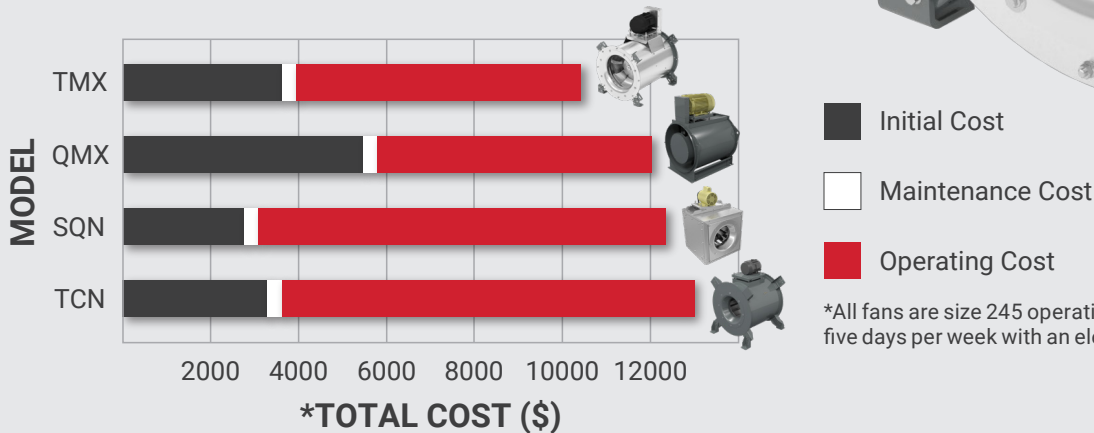
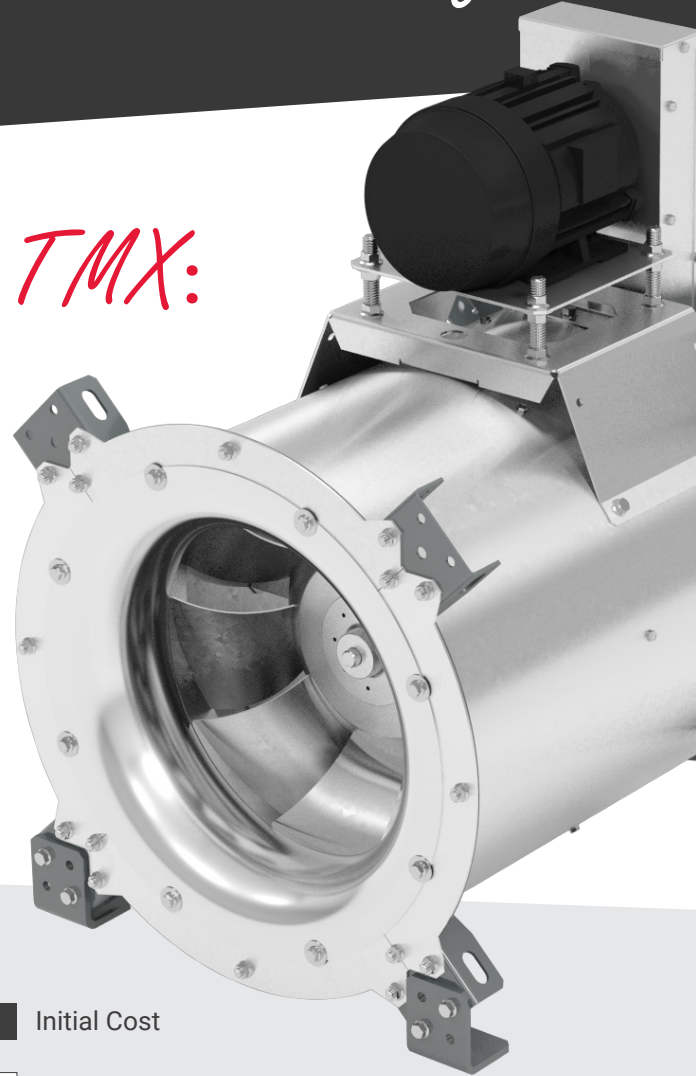
Where Efficiency Meets Economy

COOK INTRODUCES THE *TMX*:



An **economical** mixed-flow fan with impressive **performance**.

- ▶ **Efficiency, reliability** and **initial cost** all play an important role in the cost of operating a fan.
- ▶ **TMX** strikes the right **balance** and delivers the **lowest cost** of ownership among commercial inline fans.



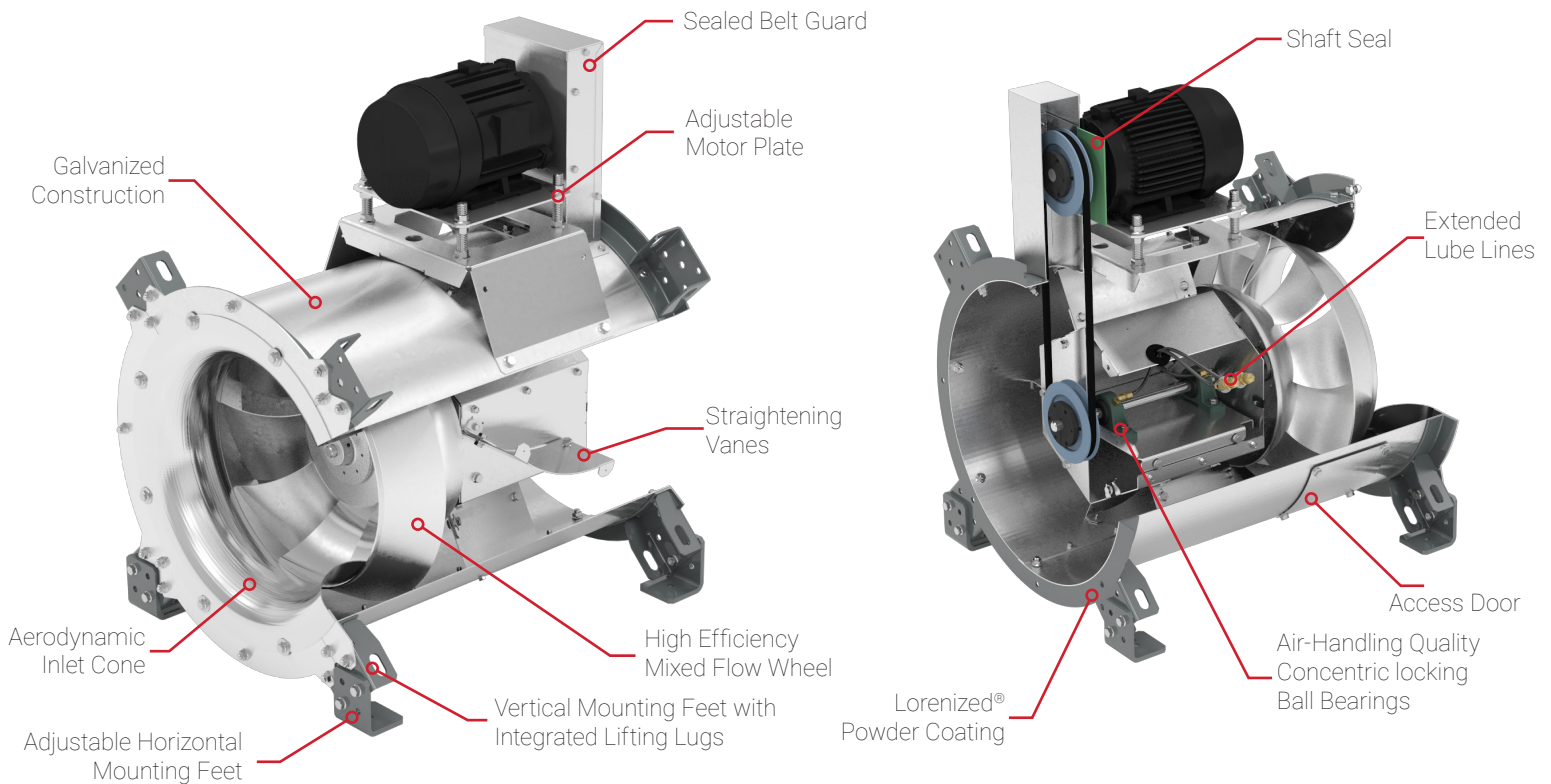
*All fans are size 245 operating year-round, 12 hours a day, five days per week with an electrical cost of \$0.11 per kWh.

- ▶ With **12 sizes**, offering performance up to **24,400 CFM** and up to **3" w.g.** in a **compact** and **efficient** design, the **TMX** is a great choice for **clean air, indoor** fan applications.



Contact your **Cook** representative or visit lorencook.com for more information!

With efficiency near QMX levels at a lower price point, TMX offers a compact, economical air moving solution for many clean air applications.



MODEL COMPARISON

Model	TMX	QMX	SQN	TCN
Sizes	12	18	18	20
Size Range	90-330	90-600	60-402	60-490
Max CFM	24,400	119,500	26,000	52,000
Max SP (.in w.g.)	3"	9"	1.25"	5"
Max Temp (°F)	180	180/500*	180/200*	180/300*

*180°F is standard construction. Upgrades are required to achieve higher temperatures.

EXTRA BENEFITS

- ▶ Efficiency near QMX levels
- ▶ UL/cUL 705 Listing is standard on all TMX models.
- ▶ Lower initial cost than other mixed flow fans.
- ▶ Lighter weight than other mixed flow fans