

MARK: _____

PROJECT: _____

DATE: _____

Accessory Data Sheet Fan Monitor Current Package

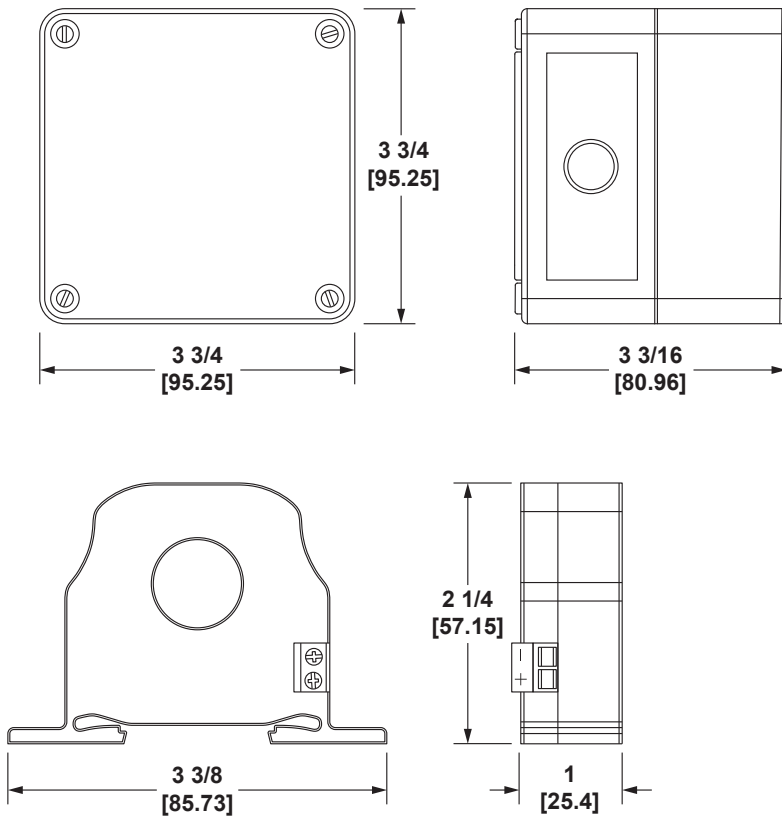
Product Description

The FM Current Package is a sensor and enclosure that can be added to the Fan Monitor Hub. It allows for electrical current being supplied to a motor to be monitored. The sensor requires a 12-30VDC power source and outputs a 4-20mA signal back to the Fan Monitor. The sensing range is selectable from one of three options for better resolution. The sensor mounts inside of a NEMA 4X enclosure.

Specifications

Supply Voltage	12 to 30 VDC @ 36mA max
Sensing Range	Selectable 0-10A (default), 0-20A or 0-50A
Output	4-20mA
Maximum Sensing Voltage	600VAC
Enclosure Rating	IP66 (NEMA 4X)
Operating Temperature	5 to 104F (-15 to 40C)
Response Time	<75mS
Humidity Range	0 to 95% RH, non-condensing

All Dimensions in inches [millimeters].



Sensor



Enclosure