

# MAC

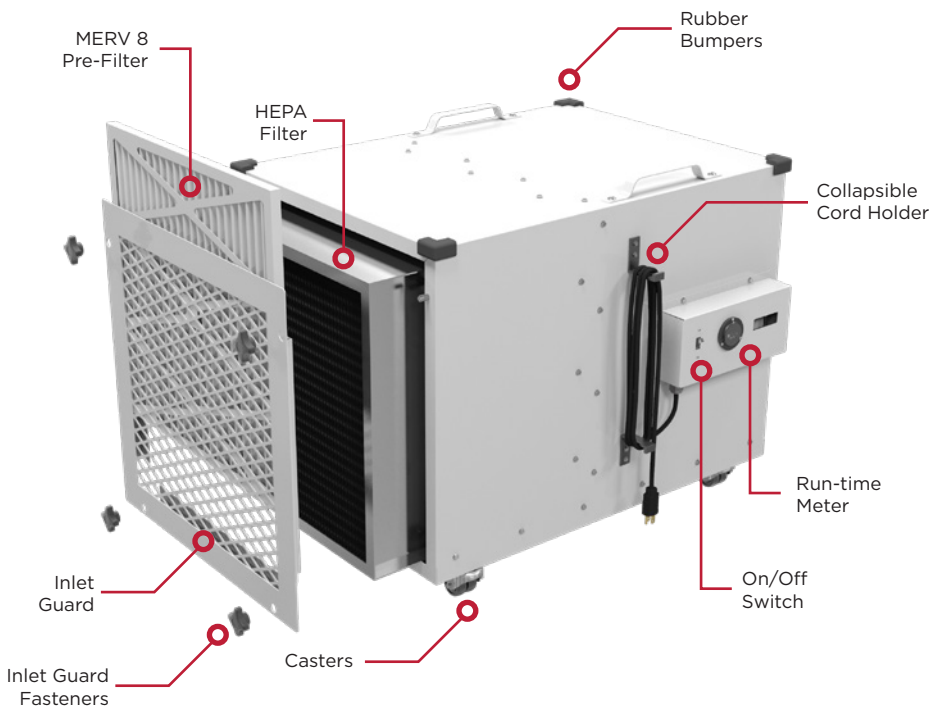
## Mobile Air Cleaner

Air filtration exactly where you need it!

Cook's Mobile Air Cleaner can be moved into service at a moment's notice.



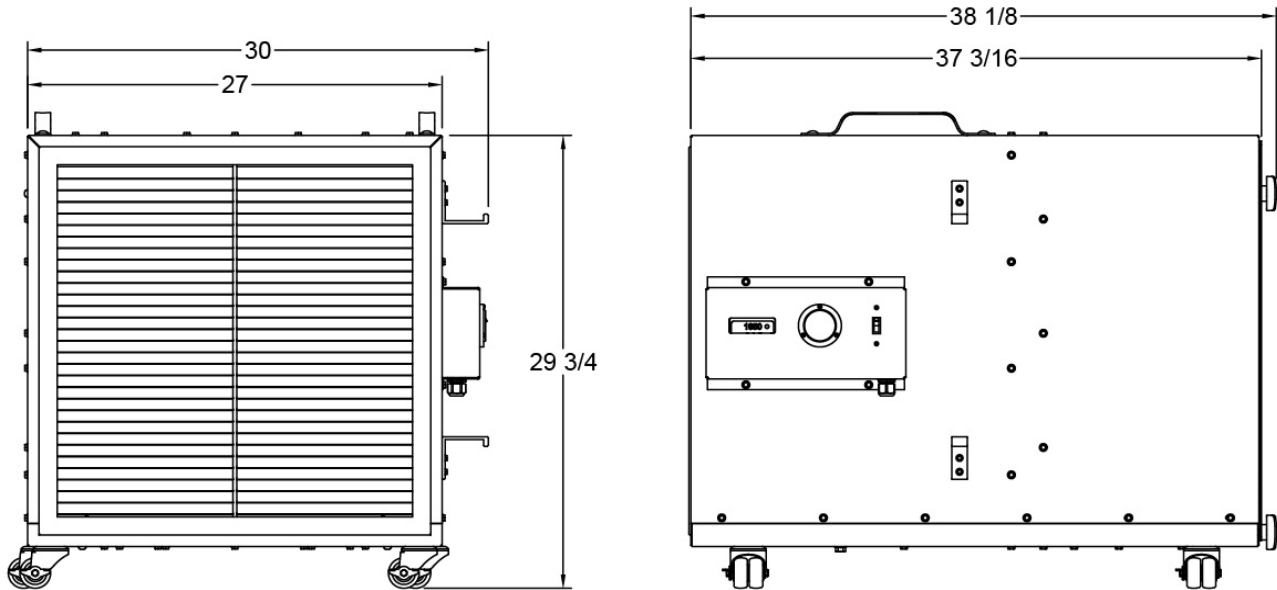
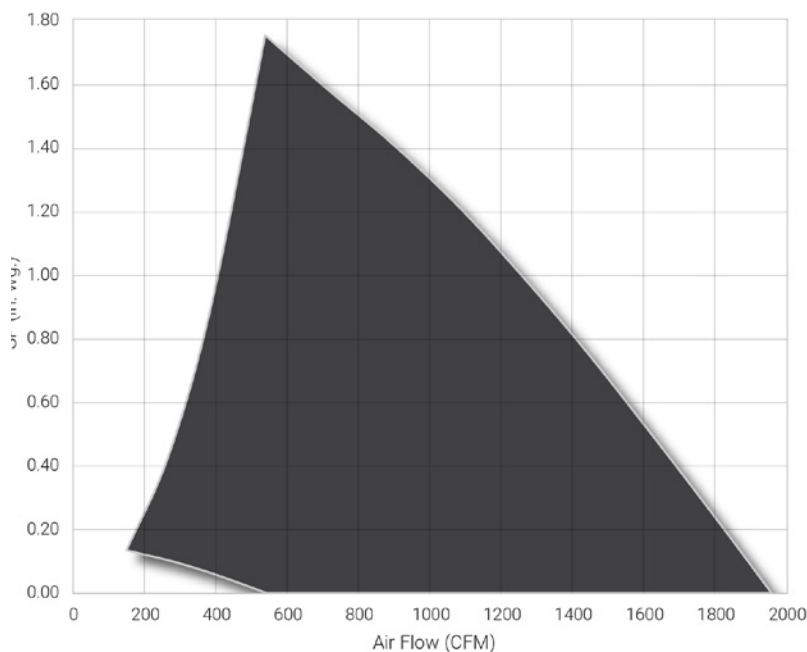
### Standard Features:



- MERV 8 pre-filter - (24x24x1")
- 99.97% efficient HEPA filter - (24x24x12")
- Airflow range: 500 - 2000 CFM
- Lorenized powder coat finish
- Swivel casters with locking brakes
- 9 foot, 115 volt power cord
- Variable speed control
- Illuminated on/off switch
- Run-time meter
- Tool-less filter changes



Contact your **Cook Representative** or visit [lorencook.com](http://lorencook.com) for more information!

**Dimensional Data:**

**Performance Data:**

**Optional Features:**

- Spare Pre-filter
- Discharge Duct Collar

**Filter Change Recommendations:**

- Pre-filter: 3-4 times/yr
- HEPA Filter: 3-4 years \*

\* when pre-filter is changed on schedule

**Applications:**

- School Classrooms
- Common Areas
- Temporary Filtration
- Offices
- Health Clubs / Gyms
- Hospitals / Clinics