

# MAC

# MOBILE AIR CLEANER

**AIR FILTRATION EXACTLY WHERE YOU NEED IT!**

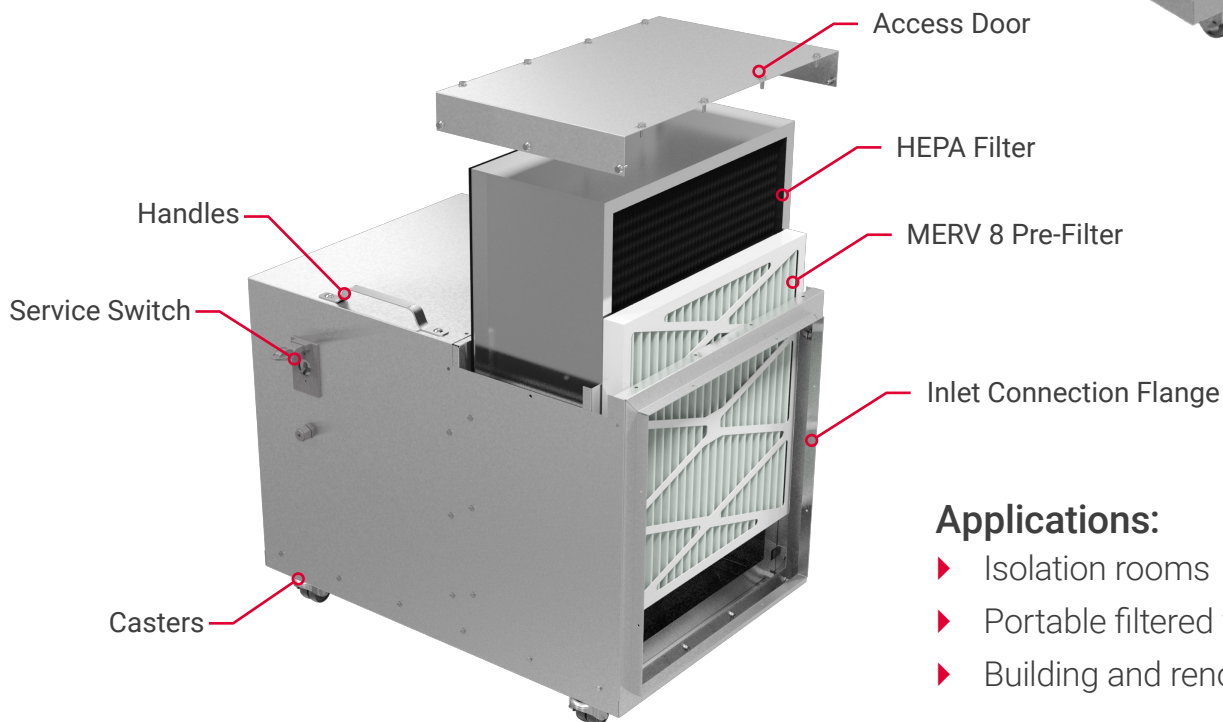


Cook's Mobile Air Cleaner can be moved into service at a moment's notice.



## Standard Features:

- ▶ MERV 8 pre-filter
- ▶ 99.97% Efficient HEPA filter
- ▶ Galvanized steel housing
- ▶ Swivel casters with locking brakes
- ▶ 9 foot, 115 volt power cord
- ▶ 12 inch diameter slip fit outlet connection



## Applications:

- ▶ Isolation rooms
- ▶ Portable filtered ventilation
- ▶ Building and renovation work

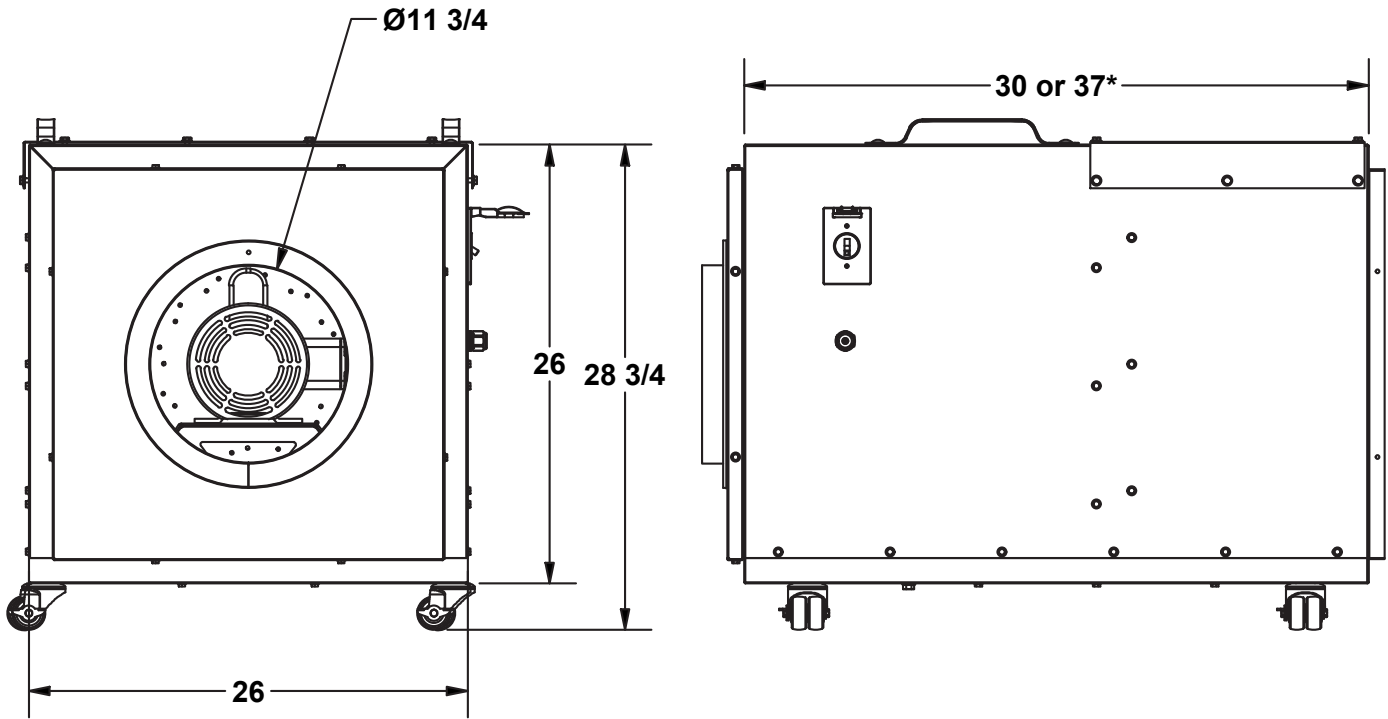


**COOK**



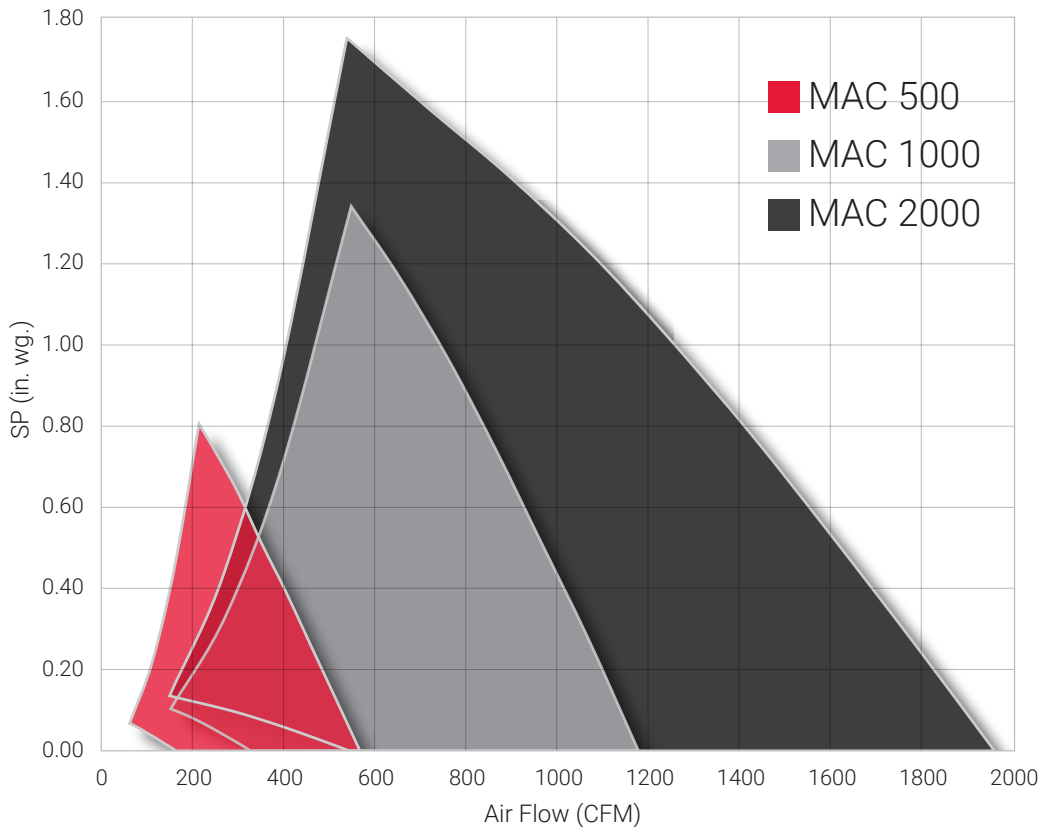
Contact your **Cook** representative or visit [lorencook.com](http://lorencook.com) for more information!

## Dimensional Data:



\* MAC 500 - 30, MAC 1000-2000 - 37

## Performance Data:



## Optional Features:

- ▶ Fan speed control
  - ▶ MAC 500 (Standard)
- ▶ Inlet Guard
- ▶ Can be provided less filters
- ▶ 208-230V (MAC 1000, 2000)
- ▶ Vari-Flow® EC motors
- ▶ Vari-Flow® Controls