

MAC UV

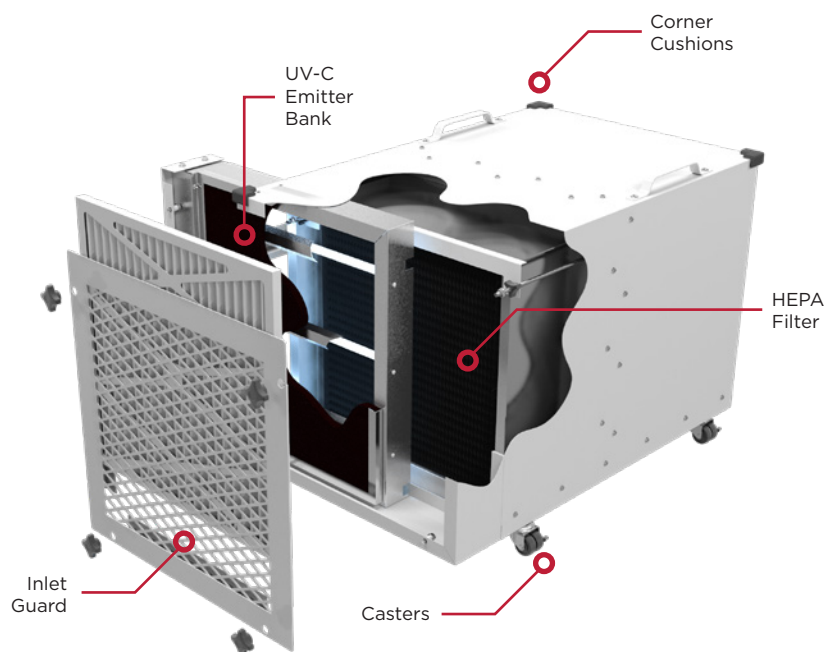
Mobile Air Cleaner

HEPA Filtration and UVGI in one package!

The MAC UV captures airborne pathogens and inactivates them with a UV-C light bath.

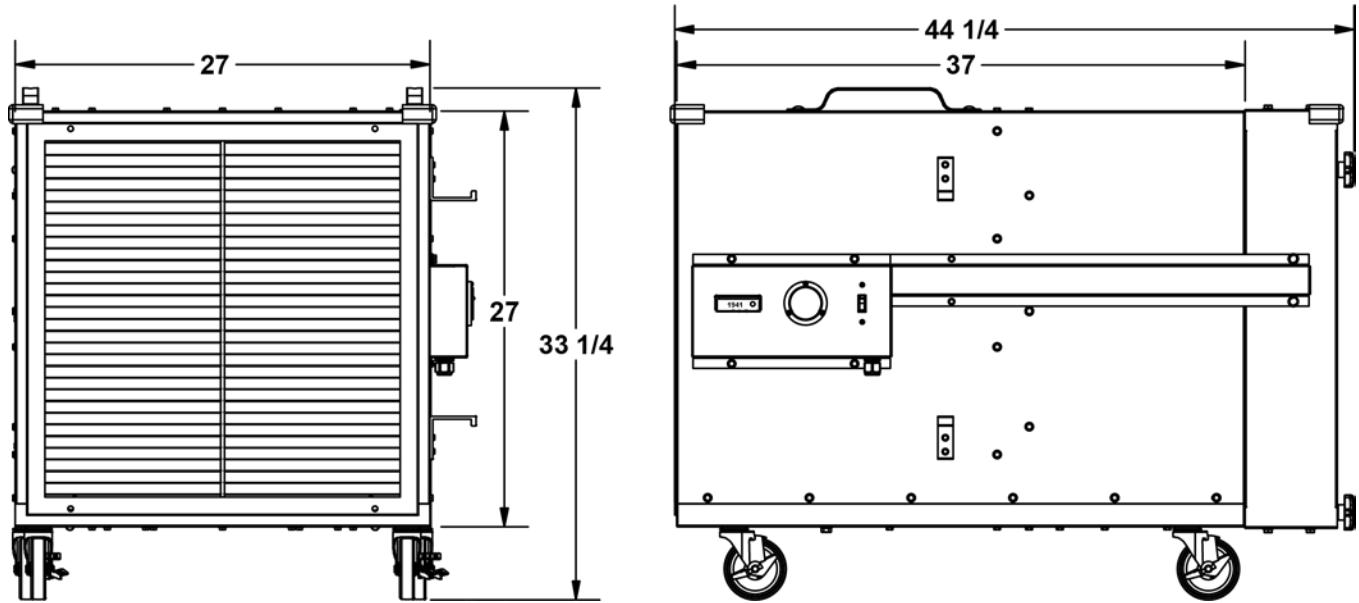


Standard Features:

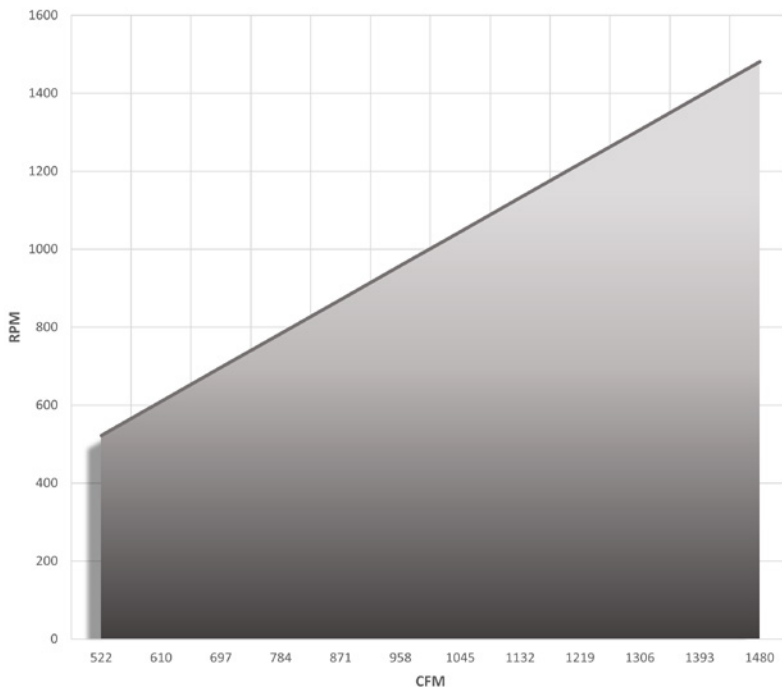


- 270 watts of constant UV-C germicidal irradiation
- HEPA - 99.97% efficient filtration
- Airflow range: 500-1900 CFM
- Lorenized powder coat finish
- 4" swivel casters with locking brakes
- 9 foot, 115V power cord
- Variable speed control
- Illuminated on/off switch
- Run-time meter
- Corner cushions

Dimensional Data:



Performance Data:



Optional Features:

- Spare Pre-filter
- Discharge Duct Collar

Filter Change Recommendations:

- Pre-filter: 2,500 hrs
- HEPA: 10,000 hrs *

* when pre-filter is changed on schedule