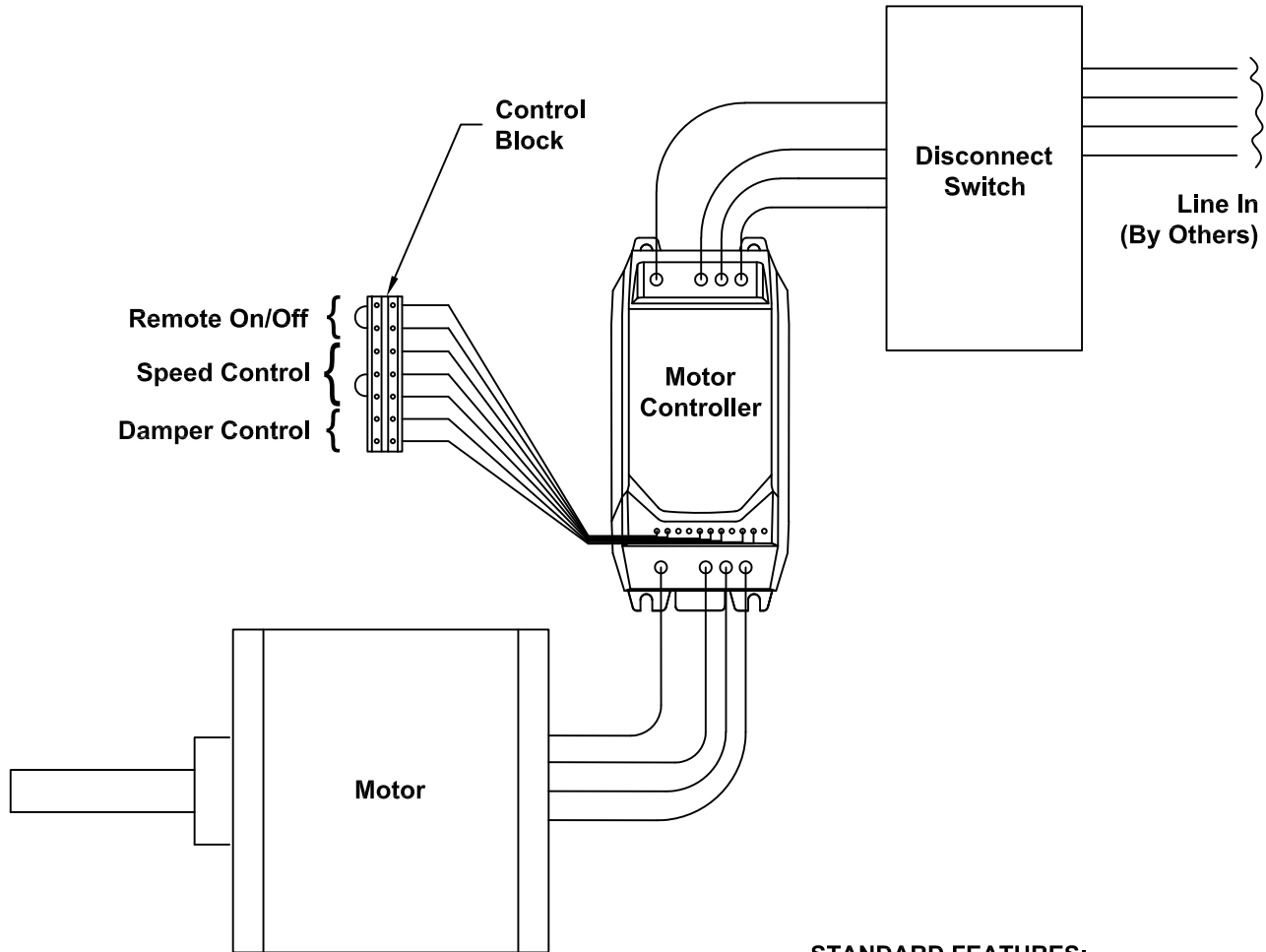


DATE: _____
 PROJECT: _____
 LOCATION: _____

Accessory Data Sheet
Vari-Flow® Motor Controller
External Signal Speed Control



HP	Available Input Voltages				Weight*
	1 Phase		3 Phase		
	110-115V	200-240V	200-240V	380-480V	
½	✓	✓	✓		5
1	✓	✓	✓	✓	5
1 ½	✓	✓	✓	✓	8
2		✓	✓	✓	5
3		✓	✓	✓	8
5		✓	✓	✓	12
7 ½				✓	12
10				✓	12
15				✓	12

*Weight in lbs. excludes motor and disconnect

STANDARD FEATURES:

- Factory Installed
- Pre-wired Motor
- Pre-wired Disconnect
- Compatible with Vari-Flow Controllers
- IP20 Controller Enclosure
- Digital Display
- Single Point Control Connections
 - Remote On/Off
 - Analog 0-10VDC Speed Control
 - Damper Control
- Factory Programmed to Include
 - Motor Characteristics
 - Min/Max Speed
 - Motor Protection
 - Soft Start
 - Damper Control
- No Field Commissioning Required